



# Parts Manual

Mfg. No: 030204-0  
5,250 Watt Briggs & Stratton



---

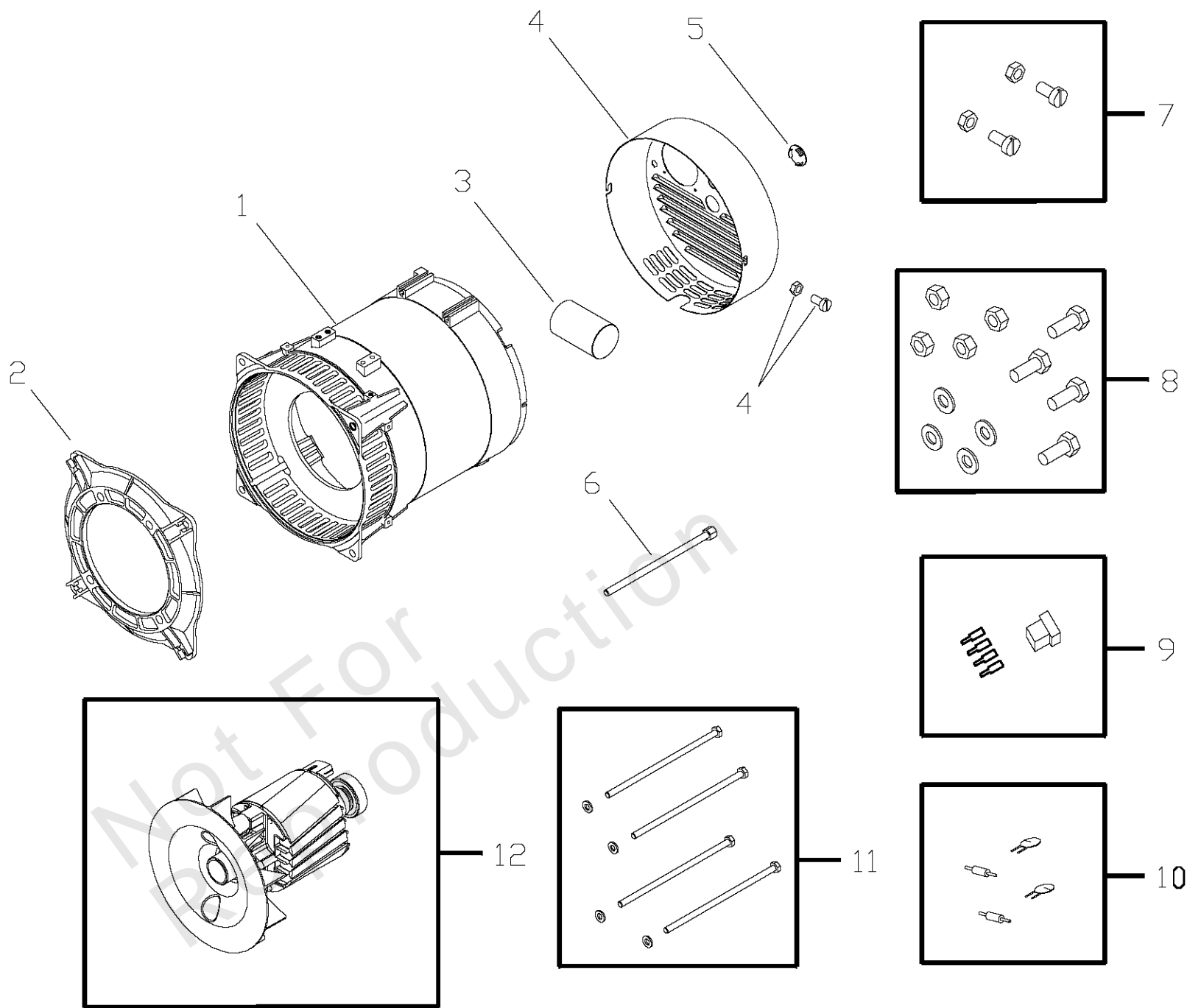
<b>Model Components</b>	<b>Page</b>
Alternator (194295).....	4
Main Unit (194495).....	6
Wheel Kit (194555).....	10
Wiring Diagram (194201).....	12
Wiring Schematic (194201).....	14
Torque Specification Chart.....	16

Not For  
Reproduction

# Alternator (194295)

Note: Unless noted otherwise, use the standard torque specifications

Mfg. No: 030204-0



## Alternator (194295)

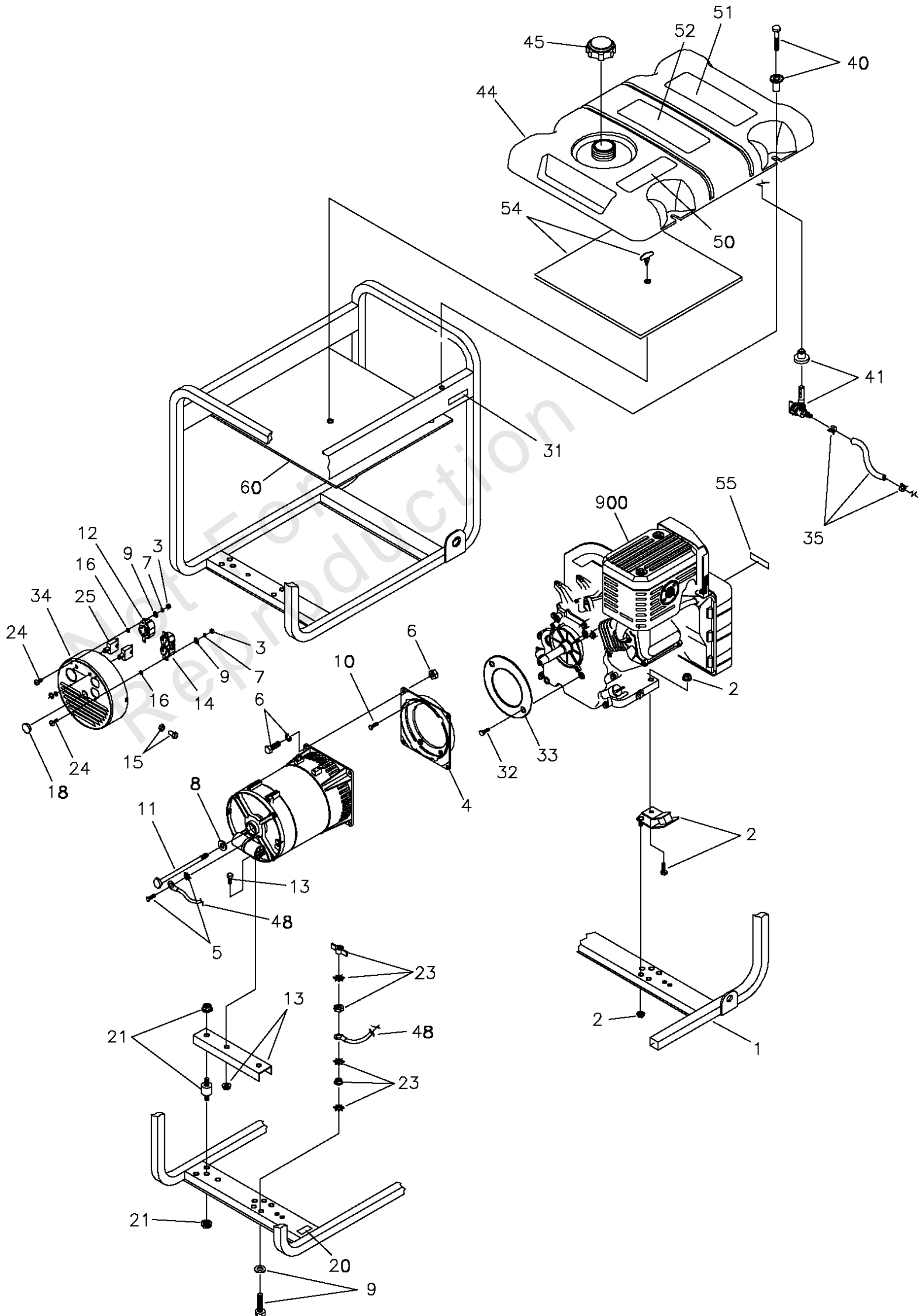
REF NO	PART NO	QTY	DESCRIPTION
1	194581GS		ASSY, Stator
2	194364GS		FLANGE, Interchangeable
3	194586GS		CAPACITOR
4	194587GS		KIT, Terminal Box Lid w/ Hardware
5	194366GS		CAP, Securing Stud
6	194365GS		STUD, Securing
7	194584GS		KIT, Terminal Lid Hardware
8	194583GS		KIT, Flange Hardware
9	194580GS		KIT, Connector
10	194579GS		KIT, Electronics
11	194582GS		KIT, Stator Hardware
12	194585GS		ASSY, Rotor

Not For  
Reproduction

# Main Unit (194495)

Note: Unless noted otherwise, use the standard torque specifications

Mfg. No: 030204-0



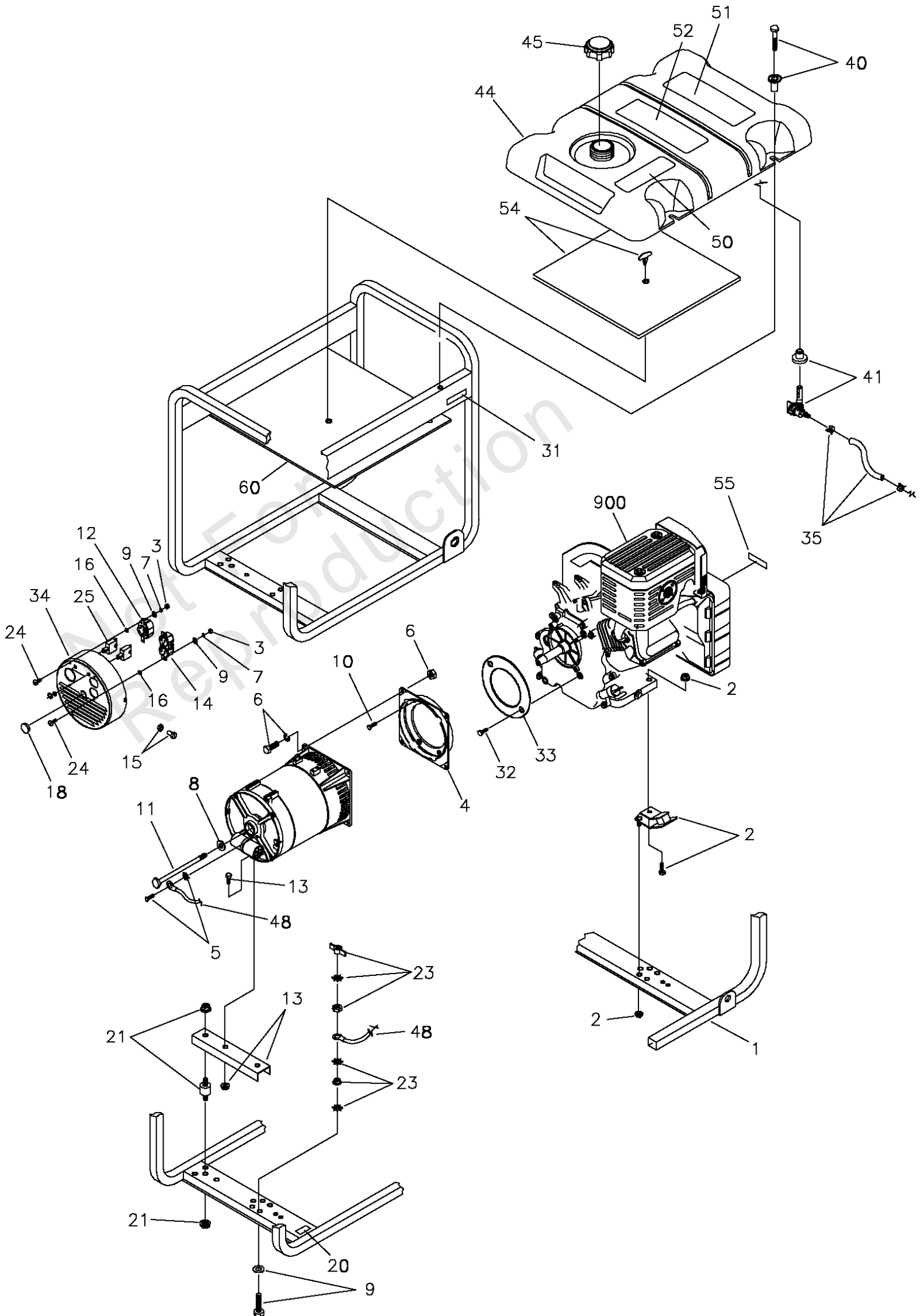
## Main Unit (194495)

REF NO	PART NO	QTY	DESCRIPTION
1	B194160GS		CRADLE
2	194150GS		KIT, Mount,Vibration, 45°.
3	-		NUT, M4 - 0.7 -(Purchase locally)
4	194364GS		ADAPTER, Engine
5	194623GS		KIT, Grounding Hardware
6	194151GS		KIT, Hardware Mounting,Alt
7	-		WASHER, #8 Lock -(Purchase locally)
8	96796GS		WASHER, M8 Flat
9	-		WASHER, M4 Flat -(Purchase locally)
10	190274BGS		SBHCS, 3/8-16 x 3/4 Lg.
11	194365GS		STUD, Securing
12	43437GS		OUTLET, 120/240V, 30A
13	194608GS		KIT,Alt Support w/ Hardware
14	68759GS		OUTLET, 120V, 15/20A
15	194584GS		KIT, Hardware Terminal Box
16	-		WASHER, Shakeproof, Int. #8 -(Purchase locally)
18	194366GS		CAP
20	B4986GS		DECAL, Ground, Green
21	194153GS		KIT, Vibration
23	194154GS		KIT, Grounding Hardware
24	-		SCREW, PH M4 x 12 -(Purchase locally)
25	75207GS		BREAKER, Circuit, 20A
31	191436GS		DECAL, Hot Muffler
32	-		HHCS, 5/16" x 3/4" SEMS -(Purchase locally)
33	B4260GS		DISK, Air Blocker
34	194587GS		TERMINAL BOX, with Hardware
35	194265GS		KIT, Fuel Hose w/ Clamps
40	194398GS		KIT, Hardware Fuel Tank
41	192980GS		KIT, Valve, Fuel
44	194217GS		ASSY, Tank, Fuel -(Includes Items 41, 50, 51 & 52)
45	90878GS		CAP, Fuel
48	194622GS		WIRE, Ground Mount
50	188333GS		DECAL, Gas Fill
52	189235GS		DECAL, Start Instructions
51	194799GS		DECAL, Danger
54	194448GS		KIT, Insulation with Clip
55	191435GS		DECAL, Fuel Shut-off
60	193452GS		SHIELD, Heat
900	-		ENGINE -Contact Engine Manufacturer
	194517GS		MANUAL, Owners -Not Illustrated
	MS6669		MANUAL, Engine -Not Illustrated
	BB3061BGS		BOTTLE, Oil -Not Illustrated
	188971GS		CORD, Ext. -Not Illustrated

# Main Unit (194495)

Note: Unless noted otherwise, use the standard torque specifications

Mfg. No: 030204-0





## Main Unit (194495)

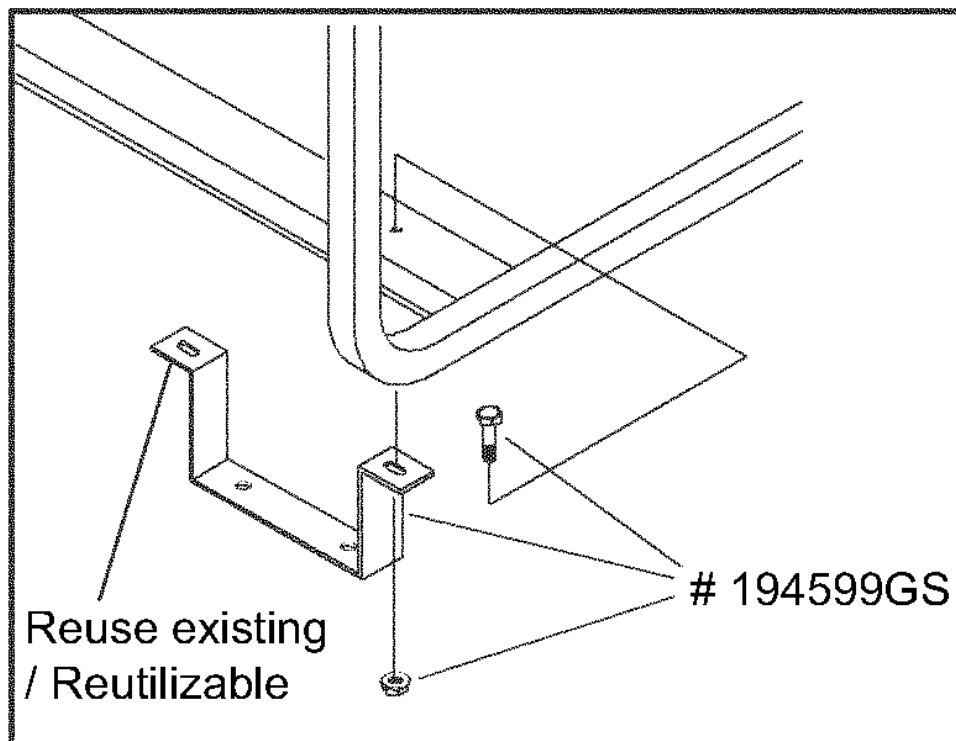
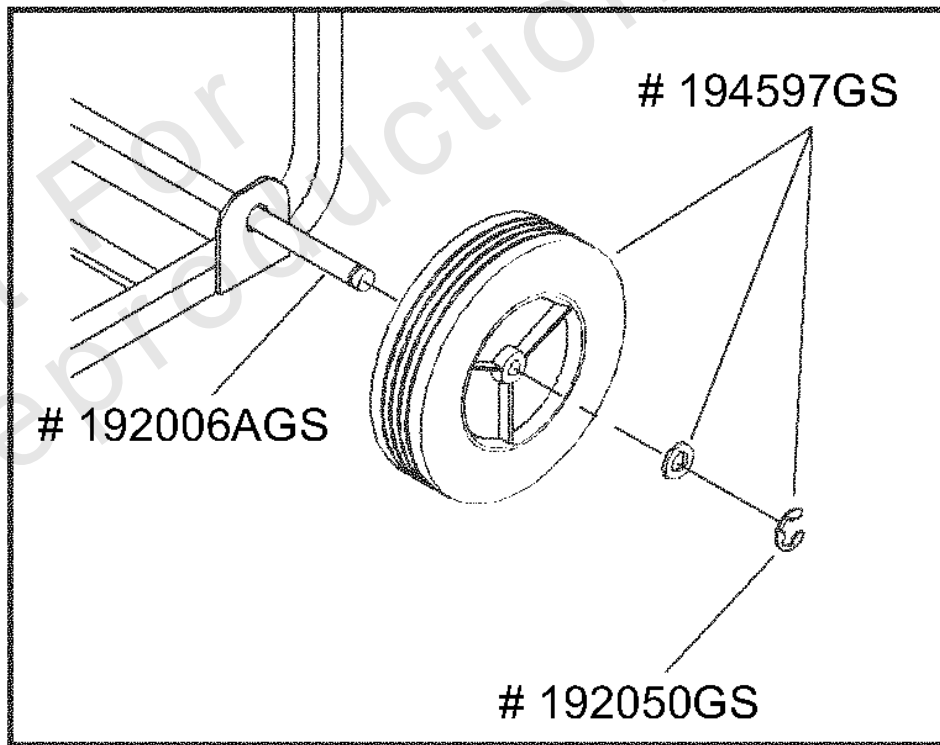
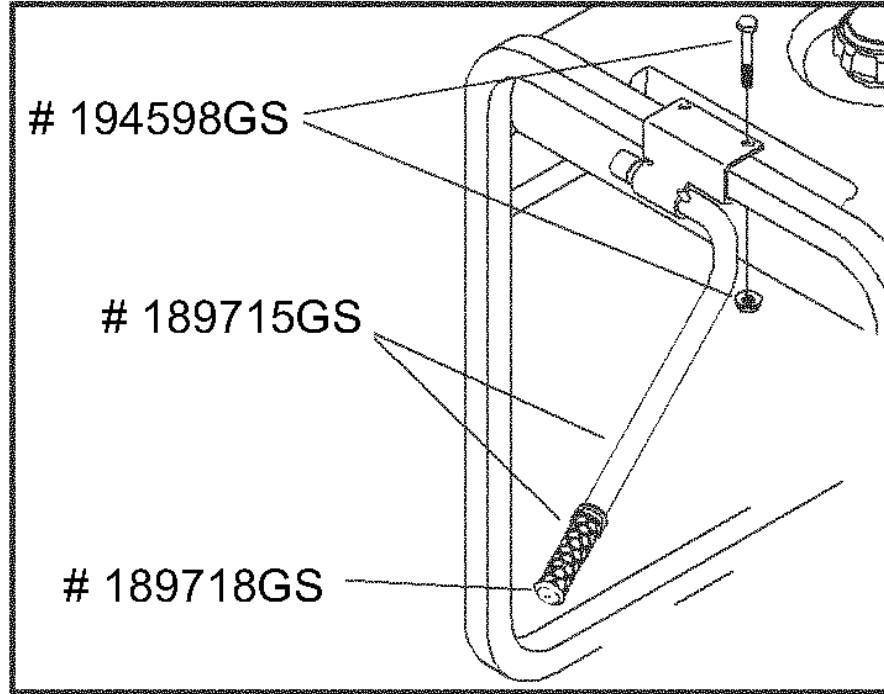
REF NO	PART NO	QTY	DESCRIPTION
	194607GS		KIT, Decal Service -Not Illustrated
	189208GS		FUEL STABILIZER -Not Illustrated

Not For  
Reproduction

# Wheel Kit (194555)

Note: Unless noted otherwise, use the standard torque specifications

Mfg. No: 030204-0



## Wheel Kit (194555)

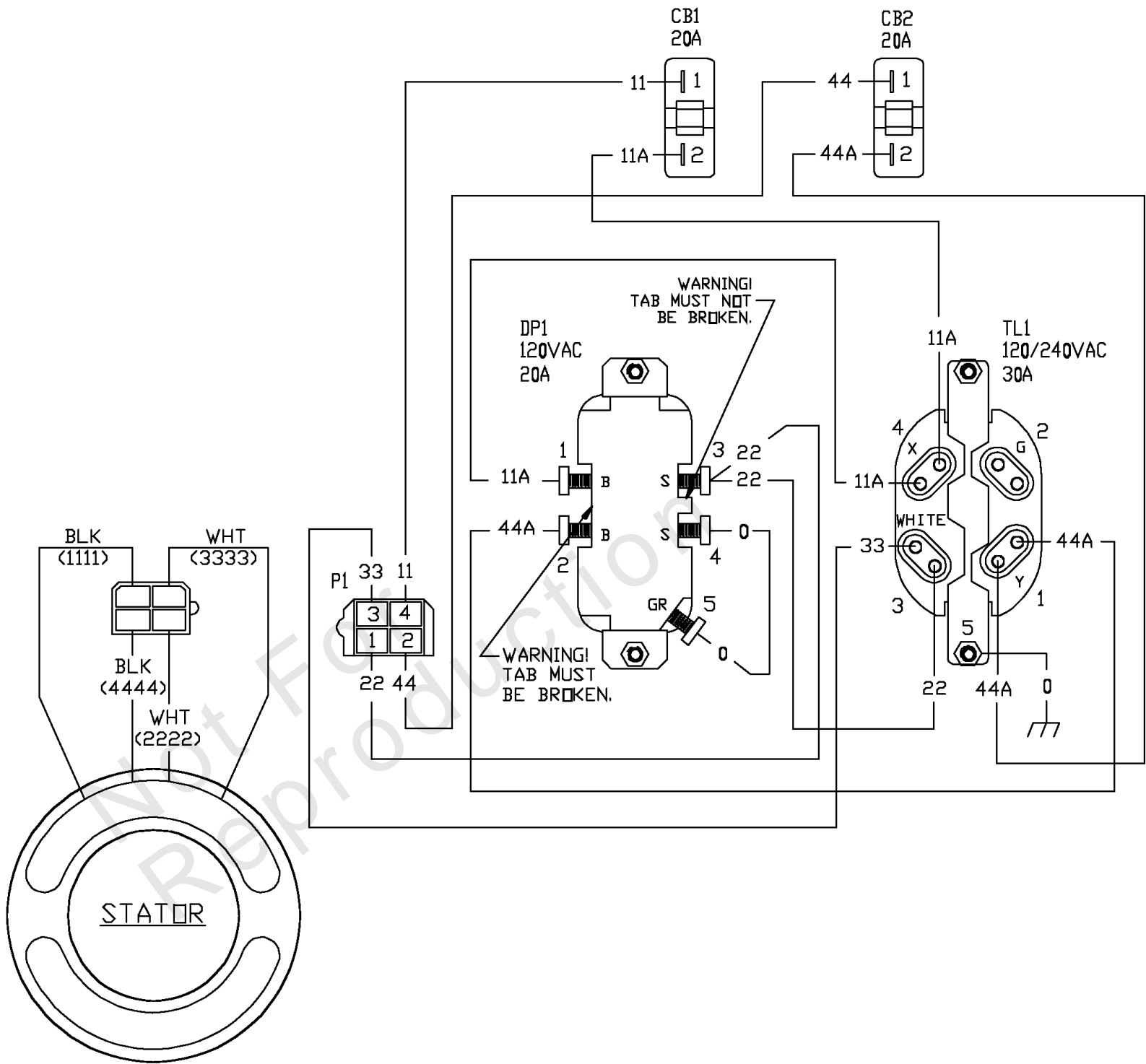
REF NO	PART NO	QTY	DESCRIPTION
192006AGS	192006AGS		AXLE, 1/2 IN X 22.20 IN, PLTD
194598GS	194598GS		KIT, HRDWR, MNTNG, HNDL, SRV
189718GS	189718GS		GRIP, HNDL, 7/8 ID
189715GS	189715GS		ASSY, HNDL, 7/8 OD
192050GS	192050GS		E-RING, AXLE, 1/2 IN
194597GS	194597GS		KIT, WHL, SRV
194599GS	194599GS		KIT, HRDWR, MNTNG, SPPRT, SRV

Not For  
Reproduction

# Wiring Diagram (194201)

Note: Unless noted otherwise, use the standard torque specifications

Mfg. No: 030204-0



## Wiring Diagram (194201)

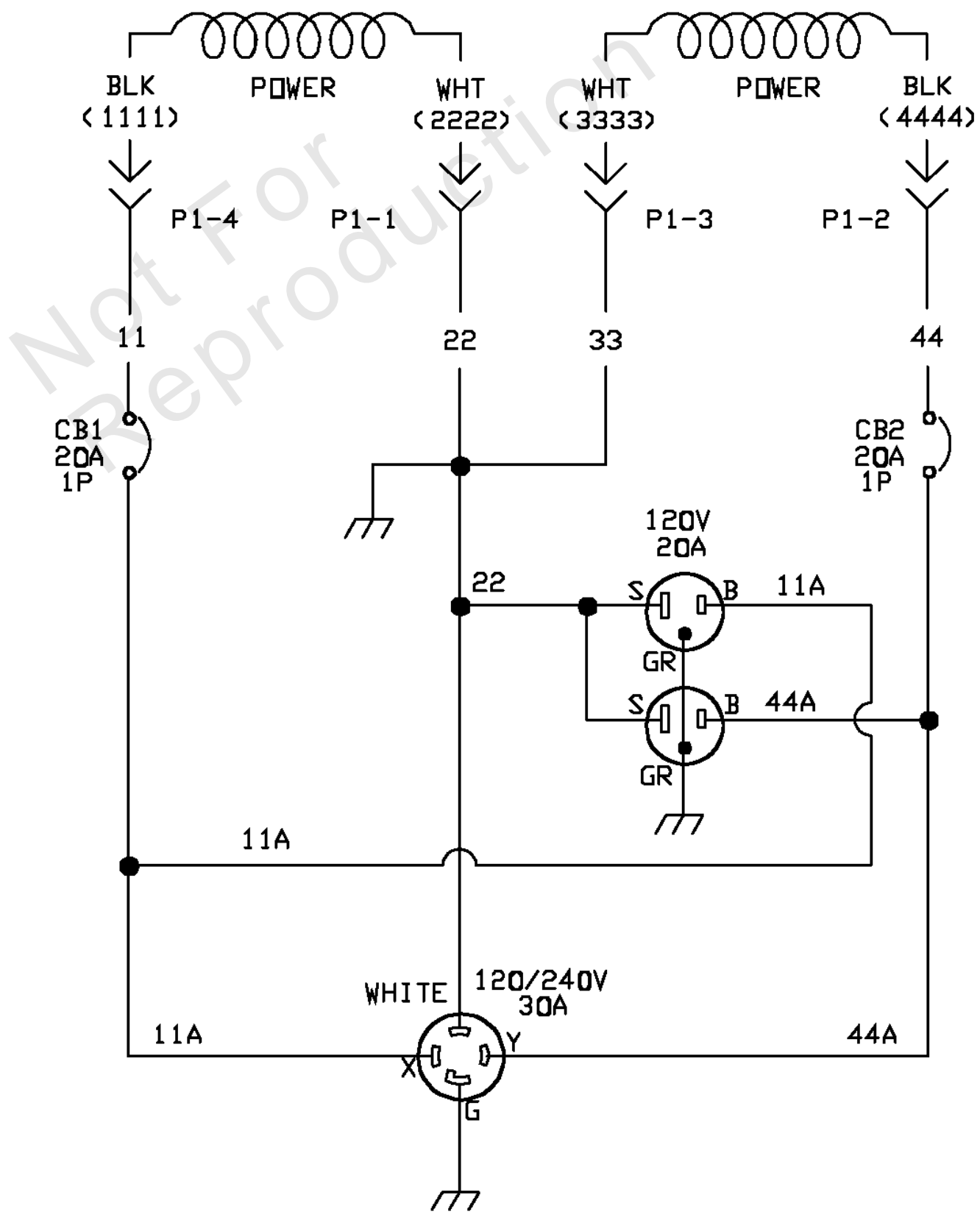
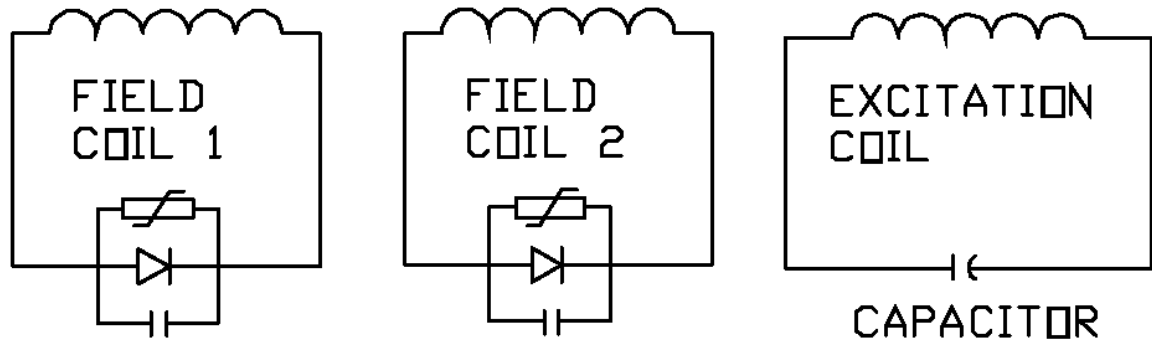
REF NO	PART NO	QTY	DESCRIPTION
--	-		Wiring Diagram Only
--	WARNING		Warning Generator Voltage Could Cause Electrical Shock or Burn Resulting in Death Or Serious Injury. To Avoid Electrical Shock Or Burn Hazard, Please Refer Service To Qualified Personnel.

Not For  
Reproduction

# Wiring Schematic (194201)

Note: Unless noted otherwise, use the standard torque specifications

Mfg. No: 030204-0



## Wiring Schematic (194201)

REF NO	PART NO	QTY	DESCRIPTION
--	-		Wiring Schematic Only
--	WARNING		Warning Generator Voltage Could Cause Electrical Shock or Burn Resulting in Death Or Serious Injury. To Avoid Electrical Shock Or Burn Hazard, Please Refer Service To Qualified Personnel.

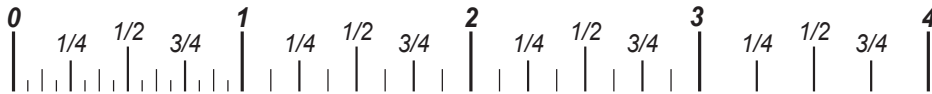
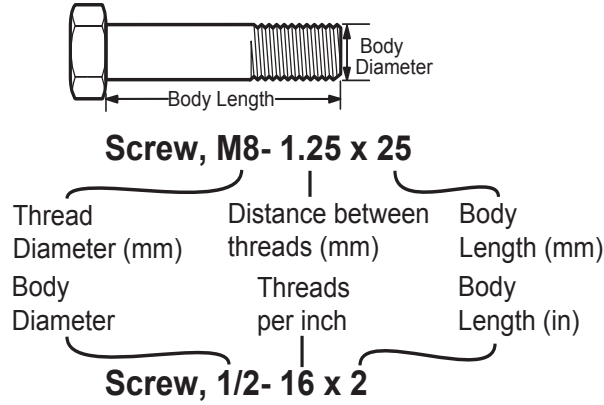
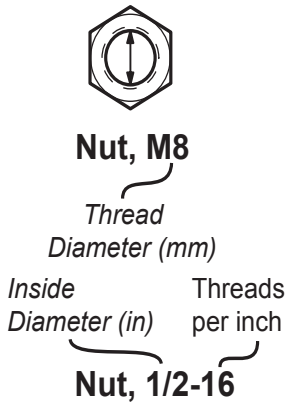
Not For  
Reproduction

# Hardware Identification & Torque Specifications

Torque Specification Chart								
FOR STANDARD METRIC MACHINE HARDWARE (Tolerance ± 20%)								
Property Class	5.6		8.8		10.9		12.9	
	Class 5.6		Class 8.8		Class 10.9		Class 12.9	
Size Of Hardware	in/lbs	Nm.	in/lbs	Nm.	in/lbs	Nm.	in/lbs	Nm.
	ft/lbs		ft/lbs		ft/lbs		ft/lbs	
M3	5.88	.56	13.44	1.28	19.2	1.80	22.92	2.15
M4	13.44	1.28	30.72	2.90	43.44	4.10	52.56	4.95
M5	26.4	2.50	60.96	5.75	5.97	8.10	7.15	9.7
M6	44.64	4.3	7.3	9.9	10.3	14	12.1	16.5
M7	5.2	7.1	12.1	16.5	16.9	23	19.9	27
M8	7.7	10.5	17.7	24	25	34	29	40
M10	15	21	35	48	50	67	59	81
M12	26	36	61	83	86.2	117	103	140
M14	42	58	101	132	136	185	162	220
M16	64	88	147	200	210	285	250	340
M18	89	121	202	275	287	390	346	470
M20	126	171	290	390	405	550	486	660
M22	169	230	390	530	559	745	656	890
M24	217	295	497	375	708	960	840	1140
M27	320	435	733	995	1032	1400	1239	1680
M30	435	590	995	1350	1401	1900	1681	2280
M33	590	800	1349	1830	1902	2580	2278	3090
M36	759	1030	1740	2360	2441	3310	2935	3980
M39	988	1340	2249	3050	3163	4290	3798	5150

Torque Specification Chart						
FOR STANDARD MACHINE HARDWARE (Tolerance ± 20%)						
Hardware Grade	No Marks		SAE Grade 5		SAE Grade 8	
	SAE Grade 2		SAE Grade 5		SAE Grade 8	
Size Of Hardware	in/lbs	Nm.	in/lbs	Nm.	in/lbs	Nm.
	ft/lbs		ft/lbs		ft/lbs	
8-32	19	2.1	30	3.4	41	4.6
8-36	20	2.3	31	3.5	43	4.9
10-24	27	3.1	43	4.9	60	6.8
10-32	31	3.5	49	5.5	68	7.7
1/4-20	66	7.6	8	10.9	12	16.3
1/4-28	76	8.6	10	13.6	14	19.0
5/16-18	11	15.0	17	23.1	25	34.0
5/16-24	12	16.3	19	25.8	29	34.0
3/8-16	20	27.2	30	40.8	45	61.2
3/8-24	23	31.3	35	47.6	50	68.0
7/16-14	30	40.8	50	68.0	70	95.2
7/16-20	35	47.6	55	74.8	80	108.8
1/2-13	50	68.0	75	102.0	110	149.6
1/2-20	55	74.8	90	122.4	120	163.2
9/16-12	65	88.4	110	149.6	150	204.0
9/16-18	75	102.0	120	163.2	170	231.2
5/8-11	90	122.4	150	204.0	220	299.2
5/8-18	100	136	180	244.8	240	326.4
3/4-10	160	217.6	260	353.6	386	525.0
3/4-16	180	244.8	300	408.0	420	571.2
7/8-9	140	190.4	400	544.0	600	816.0
7/8-14	155	210.8	440	598.4	660	897.6
1-8	220	299.2	580	788.8	900	1,244.0
1-12	240	326.4	640	870.4	1,000	1,360.0

The guides and ruler furnished below are designed to help you select the appropriate hardware.



## Standard Hardware Sizing

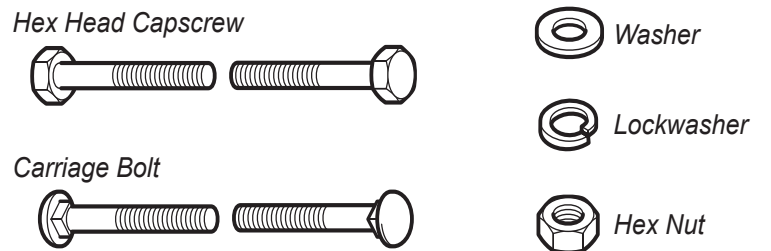
When a washer or nut is identified as 1/2" (M8), this is the *Nominal size*, meaning the *inside diameter* is 1/2 inch (8mm metric thread diameter); if a second number is present it represents the *threads per inch* (distance between threads).

When bolt or capscrew is identified as 1/2 - 16 x 2" (M8 - 1.25 x 50), this means the *Nominal size*, or body diameter is 1/2 inch (8mm metric thread diameter), the second number, 16, represents the *threads per inch*, (*distance between threads*). The final number is the body length of the bolt or screw, 2 inches (50mm).

## NOTES

- These torque values are to be used for all hardware excluding: locknuts, self-tapping screws, thread forming screws, sheet metal screws and socket head setscrews.
- Recommended seating torque values for locknuts:
  - for prevailing torque locknuts - use 65% of grade 5 torques.
  - for flange whizlock nuts and screws - use 135% of grade 5 torques.
- Unless otherwise noted on assembly drawings, all torque values must meet this specification.

## Common Hardware Types



## Wrench & Fastener Size Guide

1/4" Bolt or Nut Wrench—7/16"	5/16" Bolt or Nut Wrench—1/2"	3/8" Bolt or Nut Wrench—9/16"	7/16" Bolt or Nut Wrench (Bolt)—5/8" Wrench (Nut)—11/16"	1/2" Bolt or Nut Wrench—3/4"
M6 Bolt or Nut Wrench—10mm	M8 Bolt or Nut Wrench—13mm	M10 Bolt or Nut Wrench—17mm	M12 Bolt or Nut Wrench—19mm	M14 Bolt or Nut Wrench—22mm



